

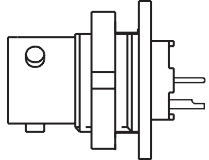

How to Order Series 803 Hermetic Receptacles

Series 803 Bayonet Hermetic Receptacles are available in two shell styles:

Jam Nut style with a “D” flat and o-ring for sealing to the panel. Jam Nut connectors are rear-panel mounted.

Flange Mount Connectors are installed on the front of the panel, and require an optional gasket for sealing.

How To Order Bayonet Hermetic Receptacles

Series	Shell Style	Shell Material / Finish	Shell Size / Insert Arrangement	Contact Type	Shell Key Position
803-006 Hermetic Receptacles	07 Jam Nut 	Z1 Stainless Steel, with Passivated Finish	5-3 3 Contacts 6-4 4 Contacts 6-7 7 Contacts 7-10 10 Contacts 8-13 13 Contacts 9-19 19 Contacts 10-26 26 Contacts 12-37 37 Contacts 14-55 55 Contacts 15-85 85 Contacts	P Pin, Solder Cup C Pin, PC Tail	N Normal Alternate Key Positions: X Y Z
	02 Flange Mount 				

Part Number Example

803-006

—07

Z1

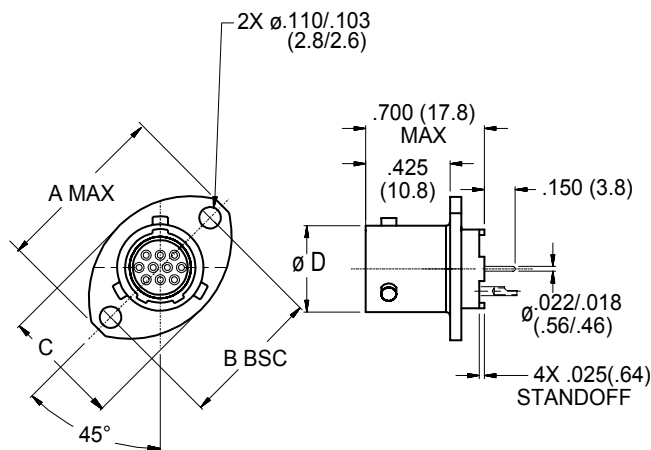
9—19

P

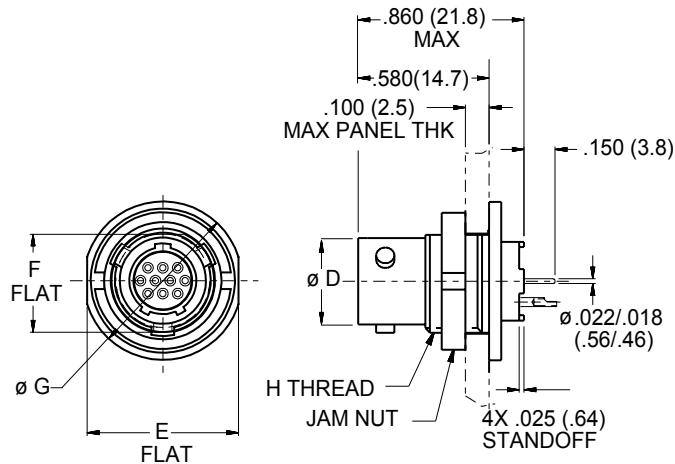
N

Series 803 Hermetic Receptacle Dimensions

Series 803 Bayonet Hermetic Receptacle Dimensions



Flange Mount Receptacle
803-006-02



Jam Nut Receptacle
803-006-07

Series 803 Bayonet Hermetic Receptacle Dimensions

Layout	A MAX	B	C	Ø D	E Flats	F Flat	Ø G	H Thread UN-2A
5-3	.703 (17.86)	.513 (13.03)	.460 (11.68)	.300 (7.62)	.545 (13.84)	.350 (8.89)	.575 (14.61)	.375-28
6-4	.788 (20.02)	.598 (15.19)	.522 (13.26)	.362 (9.19)	.595 (15.11)	.410 (10.42)	.635 (16.13)	.4375-28
6-7	.788 (20.02)	.598 (15.19)	.522 (13.26)	.362 (9.19)	.595 (15.11)	.410 (10.42)	.635 (16.13)	.4375-28
7-10	.890 (22.61)	.708 (17.98)	.590 (14.99)	.436 (11.07)	.723 (18.36)	.536 (13.61)	.755 (19.18)	.5625-32
9-19	1.207 (30.66)	1.017 (25.83)	.721 (18.31)	.561 (14.25)	.790 (20.07)	.596 (15.14)	.830 (21.08)	.625-28
12-37	1.394 (35.41)	1.204 (30.58)	.874 (22.20)	.714 (18.14)	1.044 (26.52)	.845 (21.46)	1.078 (27.38)	.875-28
14-55	1.545 (39.24)	1.280 (32.51)	1.050 (26.67)	.865 (21.97)	1.230 (31.24)	1.022 (25.96)	1.264 (32.11)	1.062-20
15-85	1.630 (41.4)	1.370 (34.80)	1.150 (29.21)	.925 (23.50)	1.290 (32.77)	1.096 (27.84)	1.325 (33.66)	1.125-28